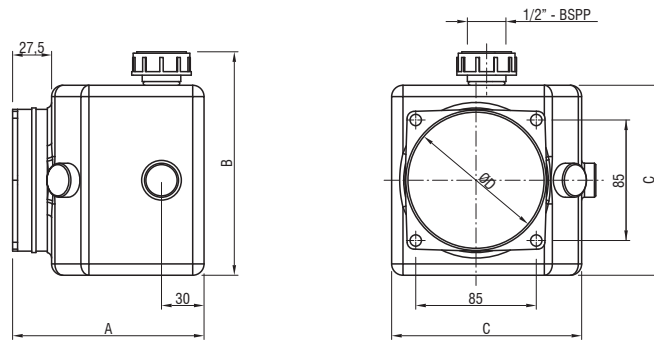


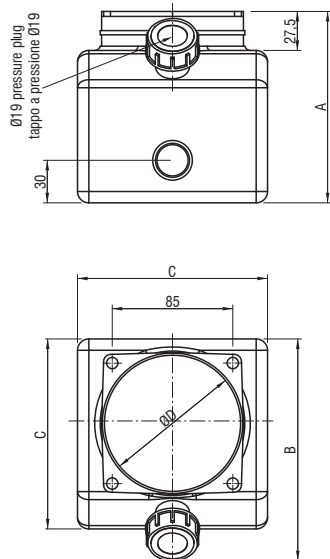
Plastic tanks: horizontal version  
Serbatoi in plastica: versione orizzontale

CODE	Tank capacity Volume [l]	A	B	C	D	Tanks characteristics
<b>SPM01D</b>	1	135	158	134	96	Temperature range: -15°C ÷ 70°C  Materials: HDPE & PP (polypropilene)  Color: neutral trasparent
<b>SPM02D</b>	1,8	180	158	134	96	
<b>SPM03D</b>	2,5	240	158	134	96	
<b>SPM04D</b>	3,5	280	158	134	96	
<b>SPM05D</b>	4,0	330	158	134	96	



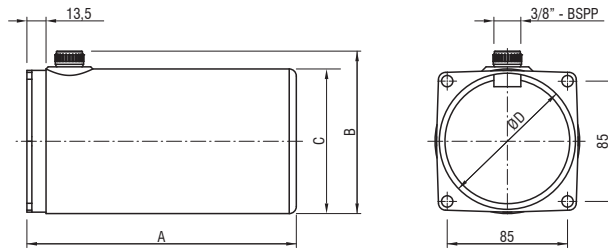
Plastic tanks: vertical version  
Serbatoi in plastica: versione verticale

CODE	Tank capacity Volume [l]	A	B	C	D	Tanks characteristics
<b>SPM01V</b>	1	135	174	134	96	Temperature range: -15°C ÷ 70°C  Materials: HDPE & PP (polypropilene)  Color: neutral trasparent
<b>SPM02V</b>	1,8	180	174	134	96	
<b>SPM03V</b>	2,5	240	174	134	96	
<b>SPM04V</b>	3,5	280	174	134	96	
<b>SPM05V</b>	4,0	330	174	134	96	



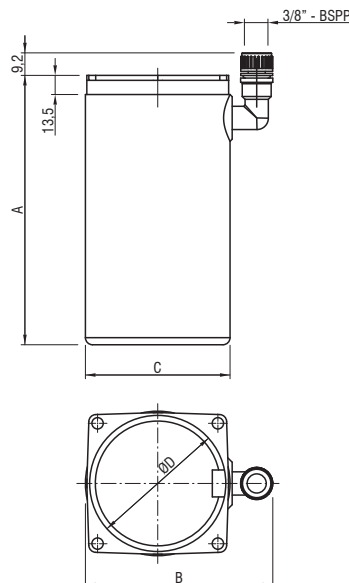
Plastic tanks: horizontal version  
Serbatoi in plastica: versione orizzontale

CODE	Tank capacity Volume [l]	A	B	C	D	Tanks characteristics
<b>SPM06H</b>	0.5	137.5	115	103.5	96	Temperature range: -15°C ÷ 70°C  Materials: HDPE & PP (polypropilene)  Color: neutral trasparent
<b>SPM07H</b>	0.8	160	115	103.5	96	
<b>SPM08H</b>	1	190	115	103.5	96	
<b>SPM09H</b>	1.3	218	115	103.5	96	
<b>SPM10H</b>	1.5	248	115	103.5	96	
<b>SPM11H</b>	2	336	115	103.5	96	



Plastic tanks: vertical version  
Serbatoi in plastica: versione verticale

CODE	Tank capacity Volume [l]	A	B	C	D	Tanks characteristics
<b>SPM06V</b>	0.5	137.5	132	103.5	96	Temperature range: -15°C ÷ 70°C  Materials: HDPE & PP (polypropilene)  Color: neutral trasparent
<b>SPM07V</b>	0.8	160	132	103.5	96	
<b>SPM08V</b>	1	190	132	103.5	96	
<b>SPM09V</b>	1.3	218	132	103.5	96	
<b>SPM10V</b>	1.5	248	132	103.5	96	
<b>SPM11V</b>	2	336	132	103.5	96	



		Adapter for steel tanks Adattatore per serbatoi in lamiera
CODE	Drawing Disegno	
<b>FS0</b>	<p><b>Note \ Nota:</b> See steel tanks in the PU10 catalog Vedi serbatoi in lamiera nel catalogo PU10</p>	

		Correct mounting position for plastic tanks Corretta posizione di montaggio per serbatoi in plastica

		Tanks mounting kit Kit fissaggio serbatoi
CODE	Tank type Tipo serbatoio	Drawing Disegno
<b>KS3</b>	SPM01 - SPM02 - SPM03 - SPM04 SPM05 - SPM06 - SPM07 - SPM08 SPM09 - SPM10 - SPM11	