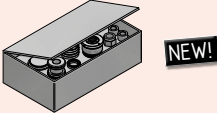


SCATOLE KIT COMPONENTI  
KIT OF CYLINDER PARTS IN BOXES

	Descrizione - Description	Series	Type	Page
	SCATOLE KIT COMPONENTI KIT OF CYLINDER PARTS IN BOXES	M250	CKIT	120÷121

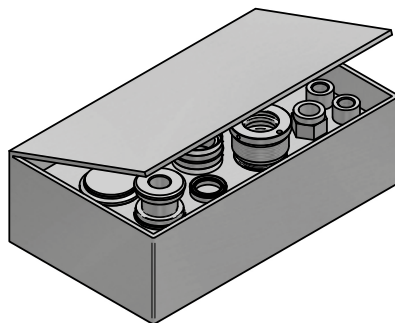
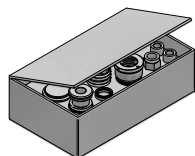
# SCATOLE KIT COMPONENTI - KIT OF CYLINDER PARTS IN BOXES

**CKIT**

**NEW!**

**SCATOLE KIT COMPONENTI  
KIT OF CYLINDER PARTS IN BOXES**

**Series M250**



Codice Code	ØAL / ØS	Testata di guida Head Bush	Pistone Piston	Fondello End Plug	Dado Nut	Borchia Threaded Port (x2)	Kit guarnizioni Seal kits	Kit guarnizioni Seal kits	kg
CKIT02501610	25 / 16	CG03502516	CTFV0251015	CF00025035	-	CBSC220400	GKGC025016	GKGF025010	0,70
CKIT03001613	30 / 16	CG04003016	CT00030013	CF00030040	CDA0001215	CBSC220400	GKGC030016	GKGT030013	0,85
CKIT03201613	32 / 16	CG04203216	CT00032013	CF00032042	CDA0001215	CBSC220400	GKGC032016	GKGT032013	1,00
CKIT03202015	32 / 20	CG04203220	CT00032015	CF00032042	CDA0001415	CBSC220400	GKGC032020	GKGT032015	1,00
CKIT03502015	35 / 20	CG04503520	CT00035015	CF00035045	CDA0001415	CBSC220400	GKGC035020	GKGT035015	1,10
CKIT03502215	35 / 22	CG04503522	CT00035015	CF00035045	CDA0001415	CBSC220400	GKGC035022	GKGT035015	1,05
CKIT04002015	40 / 20	CG05004020	CT00040015	CF00040050	CDA0001415	CBSC220400	GKGC040020	GKGT040015	1,25
CKIT04002215	40 / 22	CG05004022	CT00040015	CF00040050	CDA0001415	CBSC220400	GKGC040022	GKGT040015	1,25
CKIT04002515	40 / 25	CG05004025	CT00040015	CF00040050	CDA0001415	CBSC220400	GKGC040025	GKGT040015	1,20
CKIT04002815	40 / 28	CG05004028	CT00040015	CF00040050	CDA0001415	CBSC220400	GKGC040028	GKGT040015	1,20
CKIT04502215	45 / 22	CG05504522	CT00045015	CF00045055	CDA0001415	CBSC220400	GKGC045022	GKGT045015	1,45
CKIT04502515	45 / 25	CG05504525	CT00045015	CF00045055	CDA0001415	CBSC220400	GKGC045025	GKGT045015	1,40
CKIT05002015	50 / 20	CG06005020	CT00050015	CF00050060	CDA0001415	CBSC220600	GKGC050020	GKGT050015	1,75
CKIT05002520	50 / 25	CG06005025	CT00050020	CF00050060	CDA0002015	CBSC220600	GKGC050025	GKGT050020	1,65
CKIT05002820	50 / 28	CG06005028	CT00050020	CF00050060	CDA0002015	CBSC220600	GKGC050028	GKGT050020	1,65
CKIT05003020	50 / 30	CG06005030	CT00050020	CF00050060	CDA0002015	CBSC220600	GKGC050030	GKGT050020	1,60
CKIT05003220	50 / 32	CG06005032	CT00050020	CF00050060	CDA0002015	CBSC220600	GKGC050032	GKGT050020	1,60
CKIT05103520	50 / 35	CG06005135	CT00050020	CF00050060	CDA0002015	CBSC220600	GKGC051035	GKGT050020	1,50
CKIT05003520	50 / 35	CG06005035	CT00050020	CF00050060	CDA0002015	CBSC220600	GKGC050035	GKGT050020	1,50
CKIT05502520	55 / 25	CG06505525	CT00055020	CF00055065	CDA0002015	CBSC220600	GKGC055025	GKGT055020	2,05
CKIT05503020	55 / 30	CG06505530	CT00055020	CF00055065	CDA0002015	CBSC220600	GKGC055030	GKGT055020	1,95
CKIT05503520	55 / 35	CG06505535	CT00055020	CF00055065	CDA0002015	CBSC220600	GKGC055035	GKGT055020	1,85
CKIT06002520	60 / 25	CG07006025	CT00060020	CF00060070	CDA0002015	CBSC220600	GKGC060025	GKGT060020	2,70
CKIT06003020	60 / 30	CG07006030	CT00060020	CF00060070	CDA0002015	CBSC220600	GKGC060030	GKGT060020	2,55
CKIT06003520	60 / 35	CG07006035	CT00060020	CF00060070	CDA0002015	CBSC220600	GKGC060035	GKGT060020	2,45
CKIT06004027	60 / 40	CG07006040	CT00060027	CF00060070	CDB0002720	CBSC220600	GKGC060040	GKGT060027	2,30
CKIT06004527	60 / 45	CG07006045	CT00060027	CF00060070	CDB0002720	CBSC220600	GKGC060045	GKGT060027	2,15
CKIT06303020	63 / 30	CG07306330	CT00063020	CF00063073	CDA0002015	CBSC220600	GKGC063030	GKGT063020	2,95
CKIT06303220	63 / 32	CG07306332	CT00063020	CF00063073	CDA0002015	CBSC220600	GKGC063032	GKGT063020	2,75
CKIT06303520	63 / 35	CG07306335	CT00063020	CF00063073	CDA0002015	CBSC220600	GKGC063035	GKGT063020	2,85
CKIT06303624	63 / 36	CG07306336	CT00063024	CF00063073	CDA0002420	CBSC220600	GKGC063036	GKGT063024	2,55
CKIT06304024	63 / 40	CG07306340	CT00063024	CF00063073	CDA0002420	CBSC220600	GKGC063040	GKGT063024	2,35
CKIT06304524	63 / 45	CG07306345	CT00063024	CF00063073	CDA0002420	CBSC220600	GKGC063045	GKGT063024	2,35
CKIT06503020	65 / 30	CG07506530	CT00065020	CF00065075	CDA0002015	CBSC220600	GKGC065030	GKGT065020	3,20
CKIT06503520	65 / 35	CG07506535	CT00065020	CF00065075	CDA0002015	CBSC220600	GKGC065035	GKGT065020	3,05
CKIT06504024	65 / 40	CG07506540	CT00065024	CF00065075	CDA0002420	CBSC220600	GKGC065040	GKGT065024	2,85
CKIT06504524	65 / 45	CG07506545	CT00065024	CF00065075	CDA0002420	CBSC220600	GKGC065045	GKGT065024	2,55

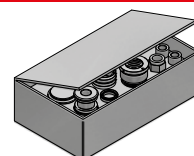
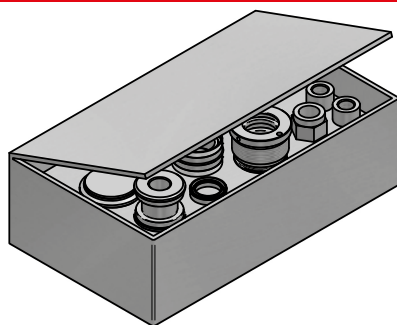
ØAL = ALESAGGIO - BORE  
ØS = STELO - ROD

SCATOLE KIT COMPONENTI  
KIT OF CYLINDER PARTS IN BOXES

NEW!

CKIT

Series M250



Codice Code	ØAL / ØS	Testata di guida Head Bush	Pistone Piston	Fondello End Plug	Dado Nut	Borchia Threaded Port (x2)	Kit guarnizioni Seal kits	Kit guarnizioni Seal kits	kg
CKIT07002520	70 / 25	CG08007025	CT00070020	CF00070080	CDA0002015	CBSC220600	GKGC070025	GKGCT070020	3,35
CKIT07003020	70 / 30	CG08007030	CT00070020	CF00070080	CDA0002015	CBSC220600	GKGC070030	GKGCT070020	3,25
CKIT07003520	70 / 35	CG08007035	CT00070020	CF00070080	CDA0002015	CBSC220600	GKGC070035	GKGCT070020	3,10
CKIT07004027	70 / 40	CG08007040	CT00070027	CF00070080	CDB0002720	CBSC220600	GKGC070040	GKGCT070027	2,95
CKIT07004527	70 / 45	CG08007045	CT00070027	CF00070080	CDB0002720	CBSC220600	GKGC070045	GKGCT070027	2,75
CKIT07005027	70 / 50	CG08007050	CT00070027	CF00070080	CDB0002720	CBSC220600	GKGC070050	GKGCT070027	2,65
CKIT07503024	75 / 30	CG09007530	CT00075024	CF00075090	CDA0002420	CBSC220600	GKGC075030	GKGCT075024	3,95
CKIT07503524	75 / 35	CG09007535	CT00075024	CF00075090	CDA0002420	CBSC220600	GKGC075035	GKGCT075024	3,85
CKIT07504027	75 / 40	CG09007540	CT00075027	CF00075090	CDB0002720	CBSC220600	GKGC075040	GKGCT075027	3,75
CKIT07504527	75 / 45	CG09007545	CT00075027	CF00075090	CDB0002720	CBSC220600	GKGC075045	GKGCT075027	3,60
CKIT08003024	80 / 30	CG09508030	CT00080024	CF00080090	CDA0002420	CBSC220800	GKGC080030	GKGCT080024	4,70
CKIT08003527	80 / 35	CG09508035	CT00080027	CF00080090	CDA0002420	CBSC220800	GKGC080035	GKGCT080024	4,45
CKIT08004027	80 / 40	CG09508040	CT00080027	CF00080090	CDA0002720	CBSC220800	GKGC080040	GKGCT080027	4,35
CKIT08004527	80 / 45	CG09508045	CT00080027	CF00080090	CDA0002720	CBSC220800	GKGC080045	GKGCT080027	4,20
CKIT08005027	80 / 50	CG09508050	CT00080027	CF00080090	CDA0002720	CBSC220800	GKGC080050	GKGCT080027	4,05
CKIT08005527	80 / 55	CG09508055	CT00080027	CF00080090	CDA0002720	CBSC220800	GKGC080055	GKGCT080027	4,00
CKIT08006027	80 / 60	CG09508060	CT00080027	CF00080090	CDA0002720	CBSC220800	GKGC080060	GKGCT080027	4,00
CKIT08503524	85 / 35	CG10008535	CT00085024	CF00085100	CDA0002420	CBSC220800	GKGC085035	GKGCT085024	5,00
CKIT08504027	85 / 40	CG10008540	CT00085027	CF00085100	CDA0002720	CBSC220800	GKGC085040	GKGCT085027	5,05
CKIT08504527	85 / 45	CG10008545	CT00085027	CF00085100	CDA0002720	CBSC220800	GKGC085045	GKGCT085027	4,90
CKIT08505027	85 / 50	CG10008550	CT00085027	CF00085100	CDA0002720	CBSC220800	GKGC085050	GKGCT085027	4,70
CKIT09004027	90 / 40	CG10509040	CT00090027	CF00090105	CDA0002720	CBSC220800	GKGC090040	GKGCT090027	5,65
CKIT09004527	90 / 45	CG10509045	CT00090027	CF00090105	CDA0002720	CBSC220800	GKGC090045	GKGCT090027	5,50
CKIT09005033	90 / 50	CG10509050	CT00090033	CF00090105	CDA0003320	CBSC220800	GKGC090050	GKGCT090033	5,35
CKIT09006033	90 / 60	CG10509060	CT00090033	CF00090105	CDA0003320	CBSC220800	GKGC090060	GKGCT090033	4,95
CKIT10004027	100 / 40	CG11510040	CT00100027	CF00100115	CDA0002720	CBSC220800	GKGC100040	GKGCT100027	8,10
CKIT10004527	100 / 45	CG11510045	CT00100027	CF00100115	CDA0002720	CBSC220800	GKGC100045	GKGCT100027	7,90
CKIT10005033	100 / 50	CG11510050	CT00100033	CF00100115	CDA0003320	CBSC220800	GKGC100050	GKGCT100033	7,65
CKIT10005533	100 / 55	CG11510055	CT00100033	CF00100115	CDA0003320	CBSC220800	GKGC100055	GKGCT100033	7,65
CKIT10006033	100 / 60	CG11510060	CT00100033	CF00100115	CDA0003320	CBSC220800	GKGC100060	GKGCT100033	7,10
CKIT10006333	100 / 63	CG11510063	CT00100033	CF00100115	CDA0003320	CBSC220800	GKGC100063	GKGCT100033	6,95
CKIT10007033	100 / 70	CG11510070	CT00100033	CF00100115	CDA0003320	CBSC220800	GKGC100070	GKGCT100033	7,05

ØAL = ALESAGGIO - BORE  
ØS = STELO - ROD