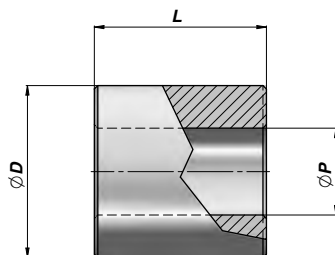


CB

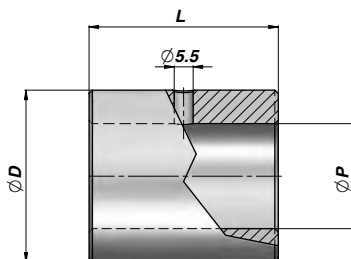
BOCCOLA
BUSH

Codice Code	ØP	ØD	L	kg	Confezione Box	Pz Pcs
CB16035030	16.25	35	30	0,18	Z50CB16035030	50
CB16035060	16.25	35	60	0,36	Z50CB16035060	50
CB20040040	20.25	40	40	0,29	Z50CB20040040	50
CB20040070	20.25	40	70	0,50	Z25CB20040070	25
CB25050050	25.25	50	50	0,56	Z50CB25050050	50
CB25050080	25.25	50	80	0,89	Z20CB25050080	20
CB25050090	25.25	50	90	1,02	Z25CB25050090	25
CB30060060	30.25	60	60	0,97	Z20CB30060060	20
CB30060110	30.25	60	110	1,79	Z10CB30060110	10
CB40070070	40.25	70	70	1,60	Z10CB40070070	10
CB40070130	40.25	70	130	2,65	Z05CB40070130	5

MATERIALE : ACCIAIO S355J0 (Fe510C)

MATERIAL : STEEL S355J0 (Fe510C)

CBF

BOCCOLA TIPO "CBF"
BUSH - "CBF" TYPE

Codice Code	ØP	ØD	L	kg	Confezione Box	Pz Pcs
CBF0012025025	12.10	25	25	0,07	Z00CBF0012025025	100
CBF0016030035	16.20	30	35	0,14	Z50CBF0016030035	50
CBF1020035040	20.25	35	40	0,20	Z50CBF1020035040	50
CBF0020040040	20.50	40	40	0,28	Z50CBF0020040040	50
CBF1025040045	25.25	40	45	0,30	Z50CBF1025040045	50
CBF0025050045	25.50	50	45	0,50	Z20CBF0025050045	20
CBF1030050055	30.25	50	55	0,50	Z20CBF1030050055	20
CBF0030050055	30.50	50	55	0,53	Z20CBF0030050055	20
CBF1030060070	30.25	60	70	1,20	Z10CBF1030060070	10
CBF0030065070	30.50	65	70	1,40	Z12CBF0030065070	12
CBF0035065060	35.50	65	60	1,09	Z10CBF0035065060	10
CBF0035065120	35.50	65	120	2,19	Z10CBF0035065120	10
CBF0050085080	50.50	85	80	2,30	Z08CBF0050085080	8
CBF0050085140	50.50	85	140	4,03	Z06CBF0050085140	6
CBF0060100090	60.50	100	90	3,51	Z05CBF0060100090	5
CBF0060100150	60.50	100	150	5,85	Z04CBF0060100150	4

MATERIALE : ACCIAIO S355J0 (Fe510C)

MATERIAL : STEEL S355J0 (Fe510C)

A RICHIESTA : INGRASSATORE VEDI PAGINA 103

ON REQUEST : GREASE NIPPLE SEE PAGE 103

ANELLO A SALDARE PER SNODO "GE"
WELD-RING FOR "GE" BALL-JOINT

CAGE



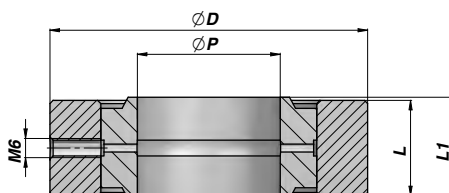
Codice Code	Per For	ØD	L	ØP	kg	Confezione Box	Pz Pcs
CAGE040026	GE ø15	40	11	26	0,06	Z0BCAGE040026	200
CAGE050035	GE ø20	50	14	35	0,11	Z0BCAGE050035	200
CAGE069042	GE ø25	69	19	42	0,35	Z50CAGE069042	50
CAGE075047	GE ø30	75	20	47	0,41	Z50CAGE075047	50
CAGE080055	GE ø35	80	22	55	0,45	Z25CAGE080055	25
CAGE094062	GE ø40	94	26	62	0,79	Z20CAGE094062	20
CAGE100068	GE ø45	100	30	68	0,98	Z10CAGE100068	10
CAGE120075	GE ø50	120	33	75	1,78	Z10CAGE120075	10
CAGE138090	GE ø60	138	40	90	2,69	Z05CAGE138090	5

MATERIALE : ACCIAIO S355J0 (Fe510C) - S355JR (A105)
 MATERIAL : STEEL S355J0 (Fe510C) - S355JR (A105)

A RICHIESTA : INGRASSATORE VEDI PAGINA 103
 ON REQUEST : GREASE NIPPLE SEE PAGE 103

ANELLO A SALDARE CON SNODO "GE" MONTATO NON CIANFRINATO
WELD-RING WITH NOT CHANFREINED "GE" BALL-JOINT

CAGEG

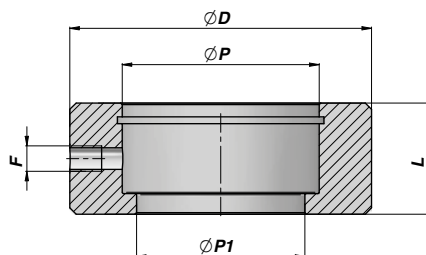


Codice Code	ØP	ØD	L	L1	kg	Confezione Box	Pz Pcs
CAGEG04002615	15	40	11	12	0,08	Z0BCAGEG04002615	200
CAGEG05003520	20	50	14	16	0,17	Z00CAGEG05003520	100
CAGEG06904225	25	69	19	20	0,46	Z25CAGEG06904225	25
CAGEG07504730	30	75	20	22	0,55	Z25CAGEG07504730	25
CAGEG08005535	35	80	22	25	0,67	Z25CAGEG08005535	25
CAGEG09406240	40	94	26	28	1,09	Z20CAGEG09406240	20
CAGEG10006845	45	100	30	32	1,38	Z10CAGEG10006845	10
CAGEG12007550	50	120	33	35	2,32	Z10CAGEG12007550	10
CAGEG13809060	60	138	40	44	3,69	Z05CAGEG13809060	5

MATERIALE : ACCIAIO S355J0 (Fe510C) - S355JR (A105)
 MATERIAL : STEEL S355J0 (Fe510C) - S355JR (A105)

A RICHIESTA : INGRASSATORE VEDI PAGINA 103
 ON REQUEST : GREASE NIPPLE SEE PAGE 103

CAGEN

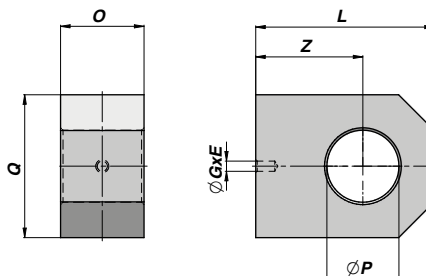
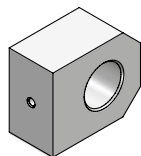
ANELLO A SALDARE PER SNODO "GE"
WELD-RING FOR "GE" BALL-JOINT

Codice Code	Per For	ØD	L	ØP	ØP1	F	kg	Confezione Box	Pz Pcs
CAGEN04015015	GE ø15	40	15	26	22	M6	0,09	Z00CAGEN04015	100
CAGEN05019020	GE ø20	50	19	35	29	M6	0,15	Z00CAGEN05019	100
CAGEN06023025	GE ø25	60	23	42	35	M6	0,26	Z50CAGEN06023	50
CAGEN07028030	GE ø30	70	28	47	40	M6	0,47	Z50CAGEN07028	50
CAGEN08530035	GE ø35	85	30	55	47	M6	0,79	Z20CAGEN08530	20
CAGEN09535040	GE ø40	95	35	62	53	M8	1,14	Z10CAGEN09535	10
CAGEN11040045	GE ø45	110	40	68	60	M8	1,87	Z10CAGEN11040	10
CAGEN12040050	GE ø50	120	40	75	66	M8	2,18	Z05CAGEN12040	5
CAGEN13850060	GE ø60	138	50	90	80	M8	3,40	Z02CAGEN13850	2

MATERIALE : ACCIAIO S355JO (Fe510C) - S355JR (A105)
MATERIAL : STEEL S355JO (Fe510C) - S355JR (A105)

A RICHIESTA : INGRASSATORE VEDI PAGINA 103
ON REQUEST : GREASE NIPPLE SEE PAGE 103

COF

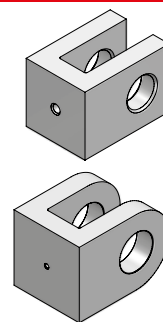
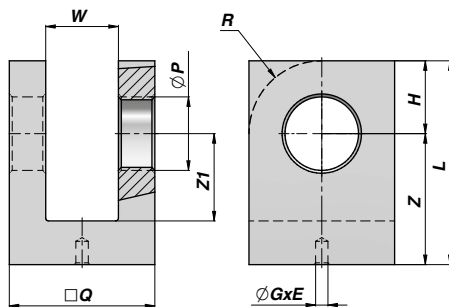
OCCHIO FISSO
MALE CLEVIS

Codice Code	ØP	Q	O	Z	L	ØGxE	kg	Confezione Box	Pz Pcs
COF1600000	16,20	35	20	25	42	ø 4,25 x 8	0,19	Z00COF1600000	100
COF2000000	20,25	45	25	30	50	ø 4,25 x 8	0,36	Z50COF2000000	50
COF2500000	25,25	50	30	35	60	ø 4,25 x 8	0,56	Z25COF2500000	25
COF3000000	30,25	60	35	45	75	ø 4,25 x 8	0,98	Z20COF3000000	20
COF3500000	35,25	70	40	55	90	ø 4,25 x 8	1,61	Z10COF3500000	10
COF4000000	40,25	70	40	60	95	ø 4,25 x10	1,62	Z10COF4000000	10
COF5000000	50,50	90	40	75	120	ø 4,25 x10	2,64	Z05COF5000000	5
COF6000000	60,50	100	50	90	140	ø 4,25 x10	4,22	Z05COF6000000	5

MATERIALE : ACCIAIO S235JR (Fe360/Fe360B)
MATERIAL : STEEL S235JR (Fe360/Fe360B)

FORCELLA A SALDARE
WELDABLE FORK

CFS



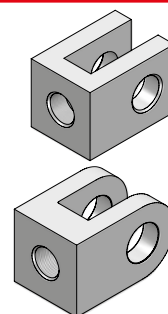
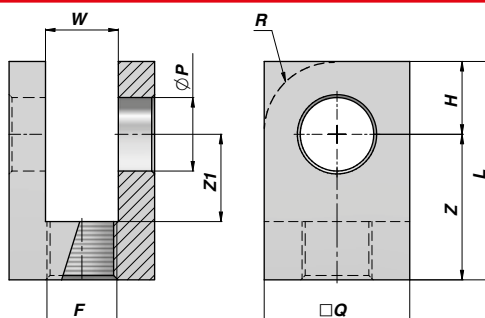
Code Code	ØP	ØQ	W	Z	Z1	H	L	R	ØGxE	kg	Confezione Box	NEW!	Pz Pcs
CFS000016	16.20	35	16	34	24	16	50	-	Ø 4.25 x 6	0,27	Z50CFS1600000		50
CFS000020	20.25	40	20	40	30	20	60	-	Ø 4.25 x 6	0,38	Z50CFS2000000		50
CFS000025	25.25	50	25	45	30	25	70	-	Ø 4.25 x 8	0,71	Z25CFS2500000		25
CFS000030	30.25	60	30	50	35	30	80	30	Ø 4.25 x 8	1,10	Z20CFS3000000		20
CFS000035	35.25	70	35	55	40	35	90	35	Ø 4.25 x 8	1,60	Z10CFS3500000		10
CFS000040	40.25	80	40	70	50	40	110	40	Ø 4.25 x10	2,70	Z05CFS4000000		5
CFS000050	50.50	100	50	95	60	50	145	50	Ø 6.25 x12	5,86			
CFS000060	60.50	110	60	105	65	55	160	55	Ø 6.25 x12	7,34			

MATERIALE : ACCIAIO S235JR (Fe360/Fe360B)

MATERIAL : STEEL S235JR (Fe360/Fe360B)

FORCELLA FILETTATA
THREADED FORK

CFF

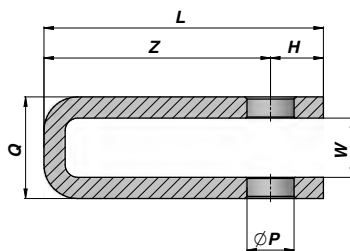
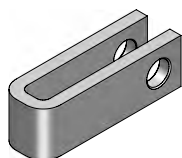


Code Code	ØP	ØQ	W	Z	Z1	H	L	R	F	kg	Confezione Box	NEW!	Pz Pcs
CFF0161615	16.20	35	16	39	24	16	55	-	M16x1.5	0,30	Z50CFF0161615		50
CFF0202015	20.25	40	20	45	30	20	65	-	M20x1.5	0,40	Z50CFF0202015		50
CFF0252420	25.25	50	25	50	30	25	75	-	M24x2	0,75	Z25CFF0252420		25
CFF0303020	30.25	60	30	65	35	30	95	30	M30x2	1,46	Z10CFF0303020		10
CFF0353320	35.25	70	35	75	40	35	110	35	M33x2	1,67	Z10CFF0353320		10
CFF0403320	40.25	80	40	85	50	40	125	40	M33x2	3,20	Z05CFF0403320		5
CFF0504530	50.50	100	50	100	60	50	150	50	M45x3	5,82			
CFF0605640	60.50	110	60	110	65	55	165	55	M56x4	7,07			

MATERIALE : ACCIAIO S235JR (Fe360/Fe360B)

MATERIAL : STEEL S235JR (Fe360/Fe360B)

CFP

FORCELLA PIEGATA A SALDARE
WELDABLE BENT FORK

Codice Code	ØP	Q	W	Z	H	L	Profilo Section	kg
CFP4010125	20.25	40.5	20.5	105	20	125	40 x 10	0,78
CFP4510067	20.25	43.0	23.0	40	27	67	45 x 10	0,49
CFP4510132	22.25	48.0	28.0	107	25	132	45 x 10	0,95
CFP5015135	26.25	52.0	22.0	110	25	135	50 x 15	1,55
CFP5015140	26.25	63.0	33.0	110	30	140	50 x 15	1,68
CFP6020175	26.25	75.0	35.0	145	30	175	60 x 20	3,37
CFP6020180	28.25	80.0	40.0	150	30	180	60 x 20	3,49

MATERIALE : ACCIAIO S235J0 (Fe360C)

MATERIAL : STEEL S235J0 (Fe360C)